

## External Serrated Tooth Lock Washer

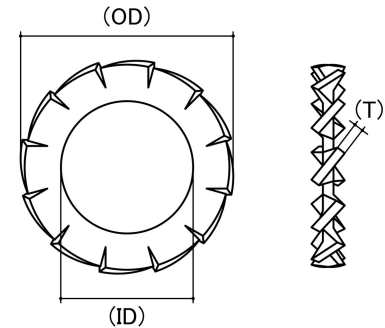
**Material:** Stainless Steel

**Class Grade:** A2-70 G304

**Corrosion Protection Level:** Excellent

**Standard:** DIN 6798 Type A

**System Of Measurement:** Metric



*CAD drawings shown for graphic representation only.\**

Industry Size	Inside Dimension (ID) (mm)		Outside Dimension (OD) (mm)	Thickness (T) (mm)	Approx Number Of Teeth	sku (qfind)
	Min	Max	Nom	Nom	Nom	
M3 x 6 x 0.4	3.20	3.38	6.00	0.40	9	71LXSS3
M4 x 8 x 0.5	4.30	4.48	8.00	0.50	10	71LXSS4
M5 x 10 x 0.6	5.30	5.48	10.00	0.60	11	71LXSS5
M6 x 11 x 0.7	6.40	6.62	11.00	0.70	12	71LXSS6
M8 x 15 x 0.8	8.40	8.62	15.00	0.80	14	71LXSS8
M10 x 18 x 0.9	10.20	10.75	18.00	0.90	16	71LXSS10
M12 x 20.5 x 1	13.00	13.27	20.50	1.00	16	71LXSSM12
M16 x 26 x 1.2	17.00	17.27	26.00	1.20	18	71LXSS16
M20 x 33 x 1.4	21.00	21.33	33.00	1.40	20	71LXSS20
M24 x 38 x 1.5	25.33	25.00	38.00	1.50	20	71LXSS24
M30 x 48 x 1.6	31.00	-	48.00	1.60	22	71LXSS30

**Disclaimer:**

Dimensional data and technical information was obtained from publically available sources and not acquired through standard agencies. It has been completed and compiled for reference purposes only; where discrepancies are found they are subject to change without notice. Bolt & Nut Australia makes no warranties or representations regarding the accuracy and validity of the compiled information and data. Contact the relevant standard authorities for accurate and detailed information.

\* CAD drawings may not reflect diameter, thread length or overall length.

© Bolt & Nut Australia Pty Ltd. All rights reserved.

Version: 18 Mar 2024